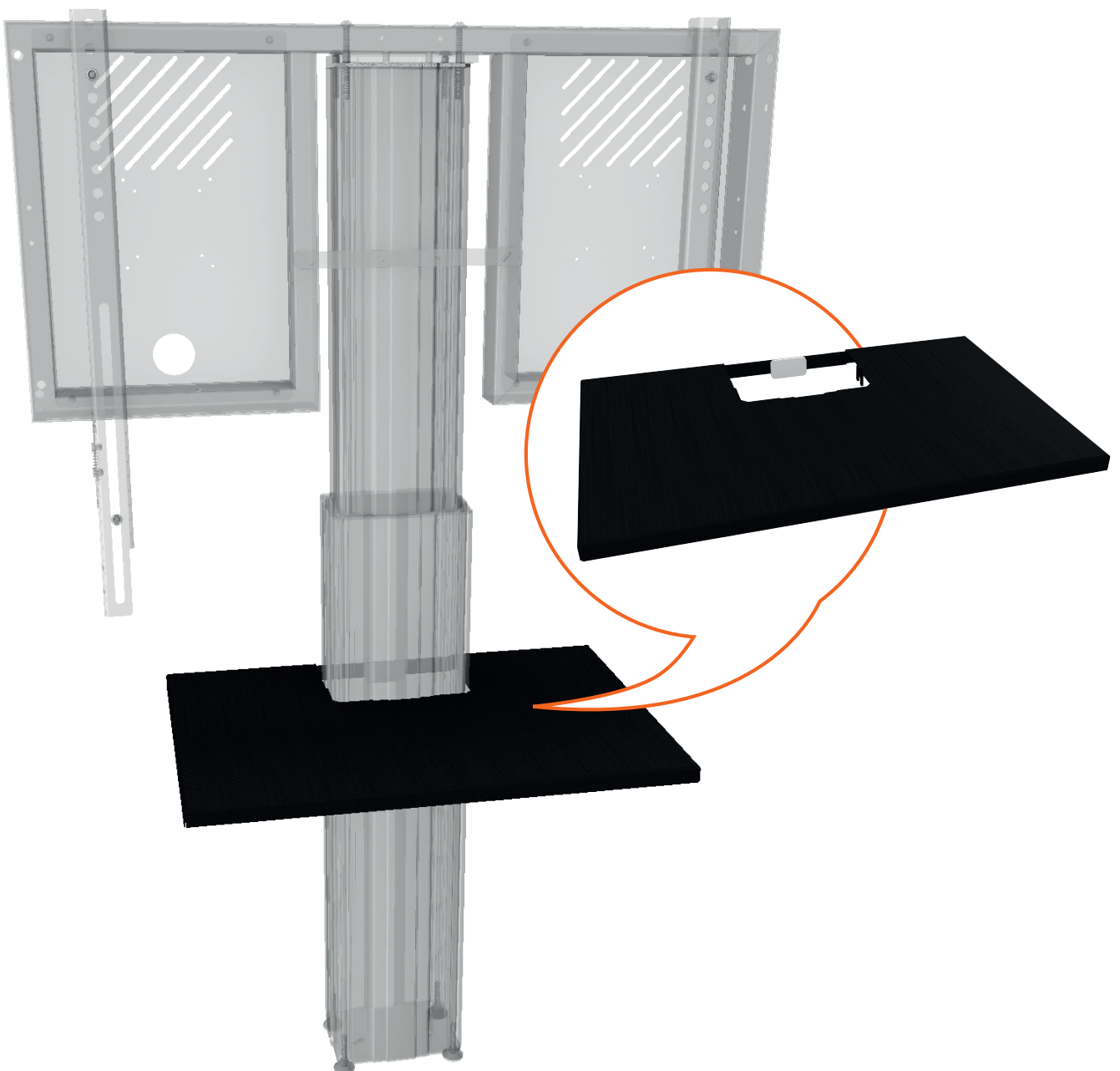
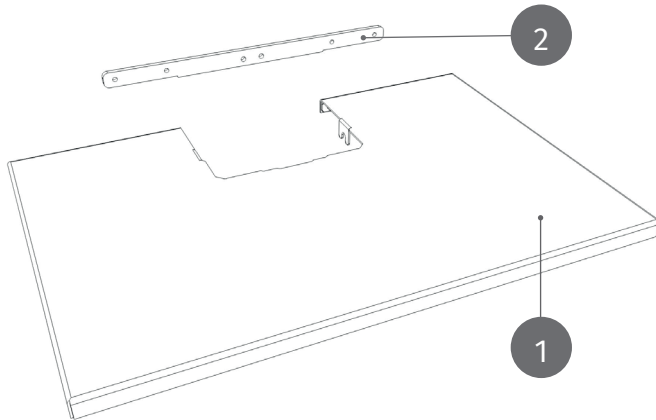


## Frontshelf

for attachment to the pylon column



## PACKAGE CONTENTS



1 Frontshelf

2 Mounting bracket



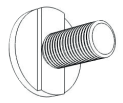
A  
1 x M6  
Double  
Sliding block



B  
2 x M6  
Self-locking nut  
with flange



C  
4 x M6 x 12  
Lenshead Allen screw  
with flange

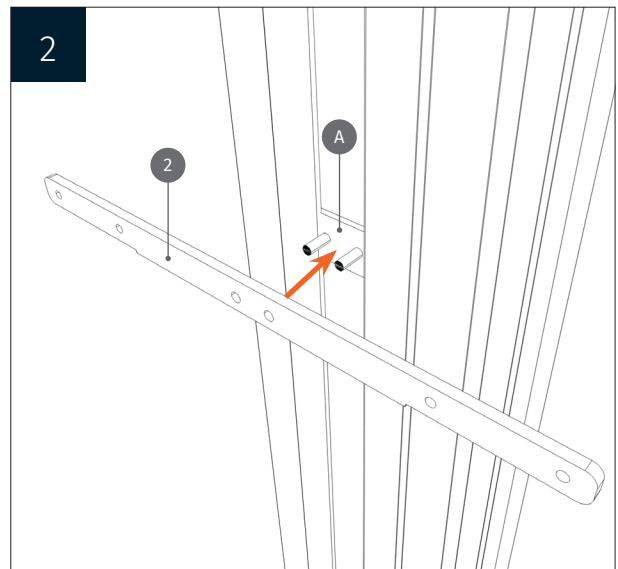
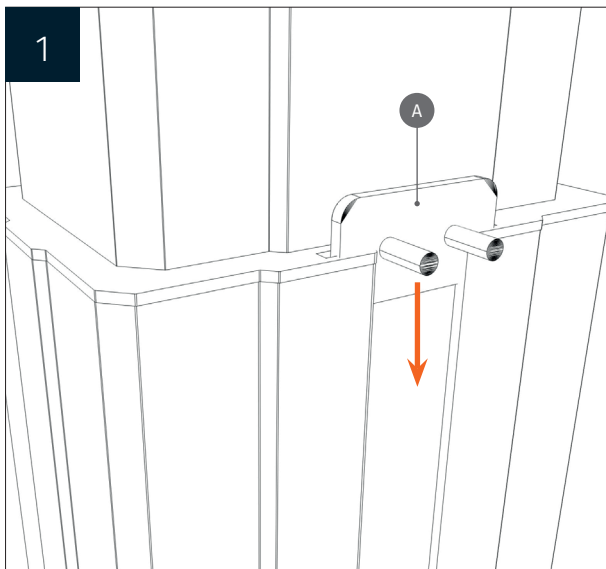


D  
2 x  
Sliding block

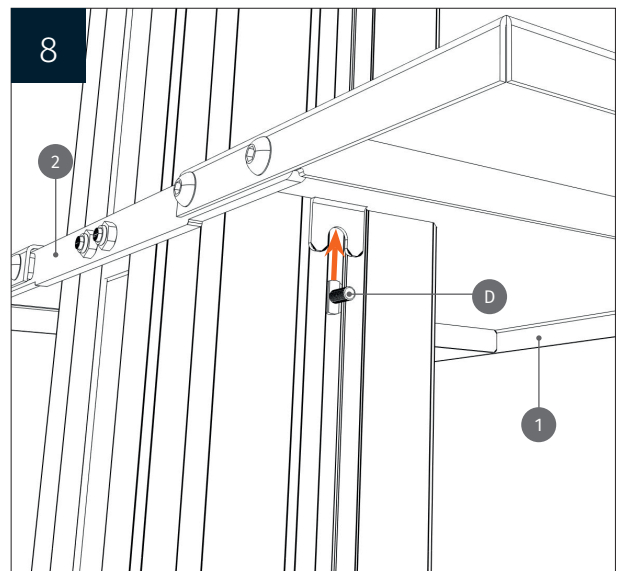
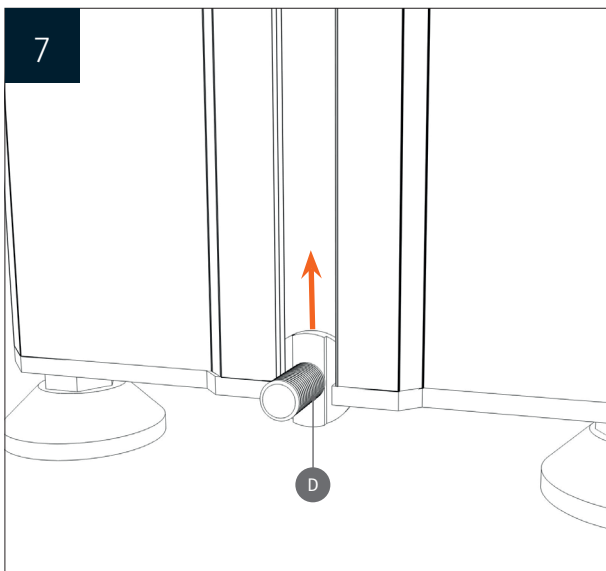
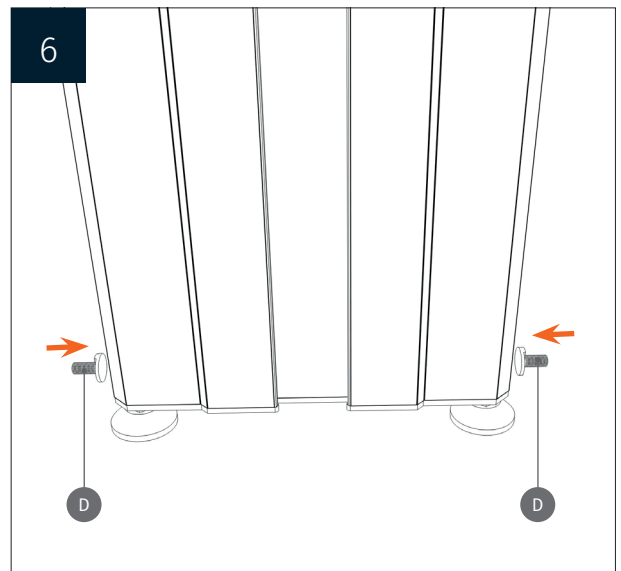
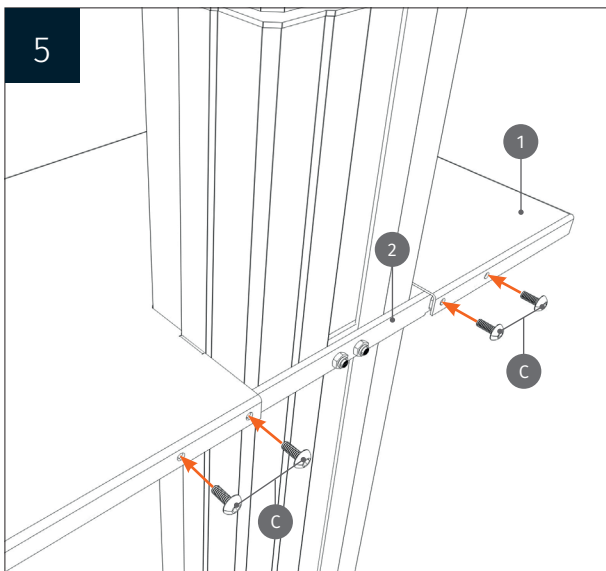
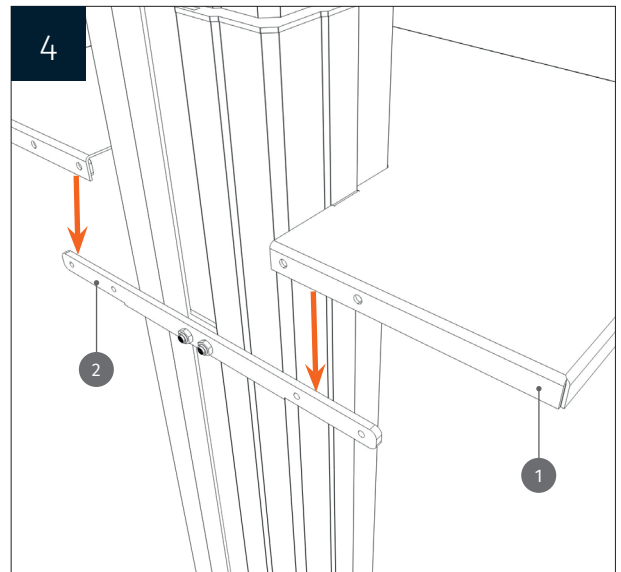
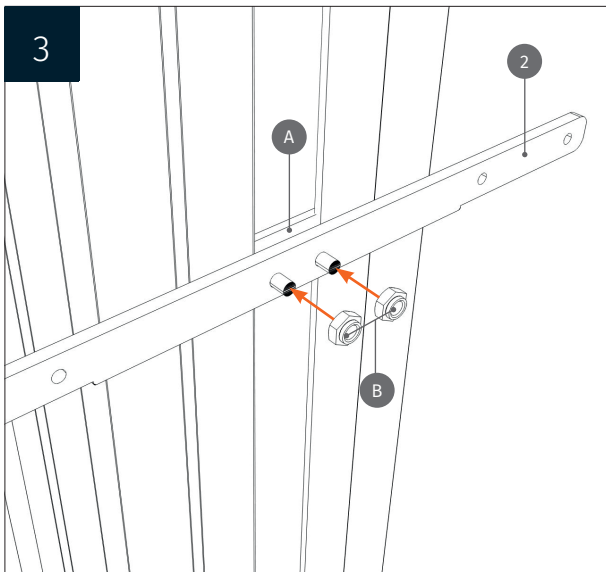


E  
2 x M8  
Self-locking nut

## MOUNTING INSTRUCTIONS



# MOUNTING INSTRUCTIONS



## MOUNTING INSTRUCTIONS

