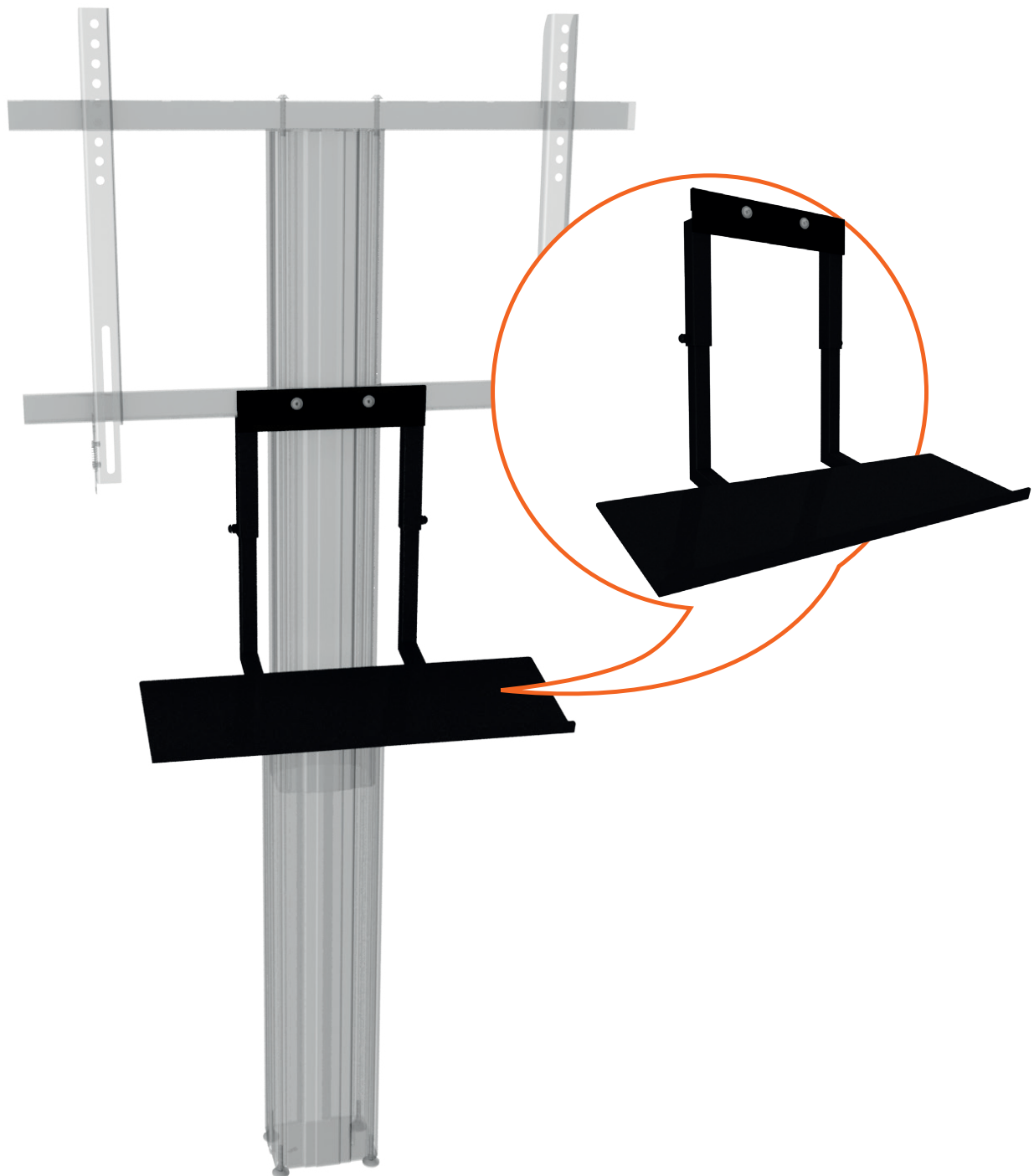
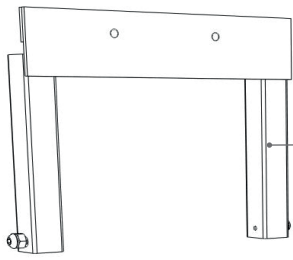


Keyboard shelf for attachment to the display frame

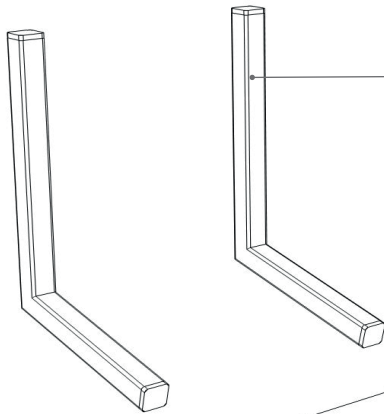


PACKAGE CONTENTS



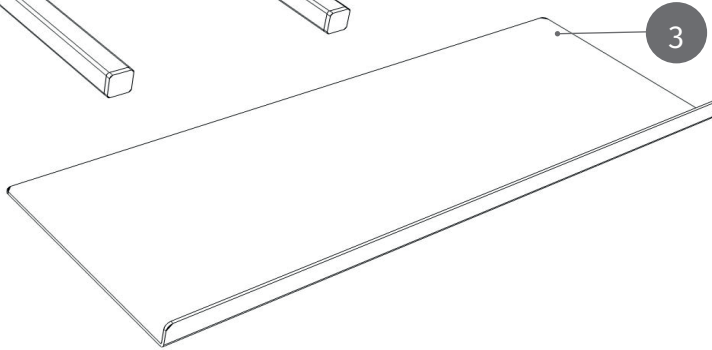
1

1 Mounting pipe



2

2 Adjustable pipe



3

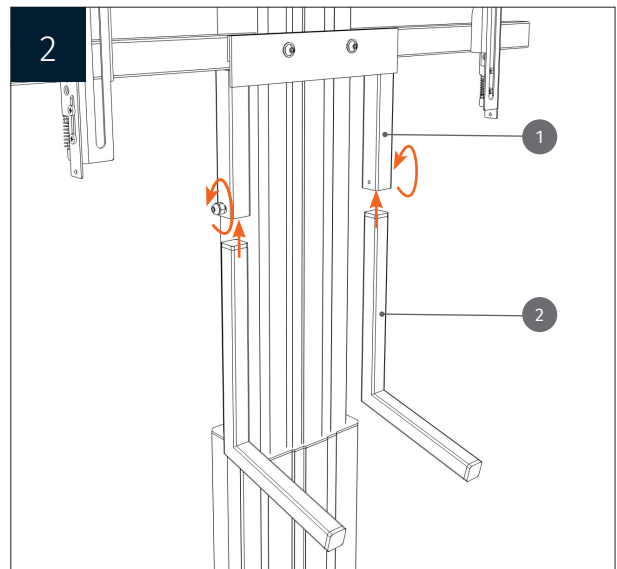
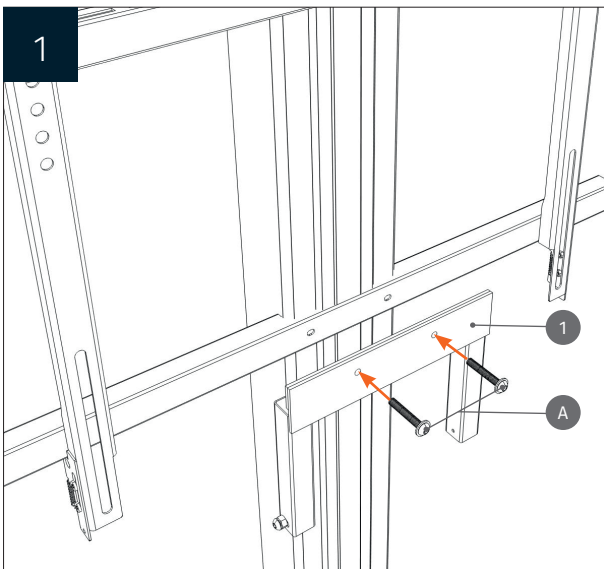
2 Shelf



A

2 x M6 x 40
Lenshead Allen screw
with flange

MOUNTING INSTRUCTIONS



MOUNTING INSTRUCTIONS

