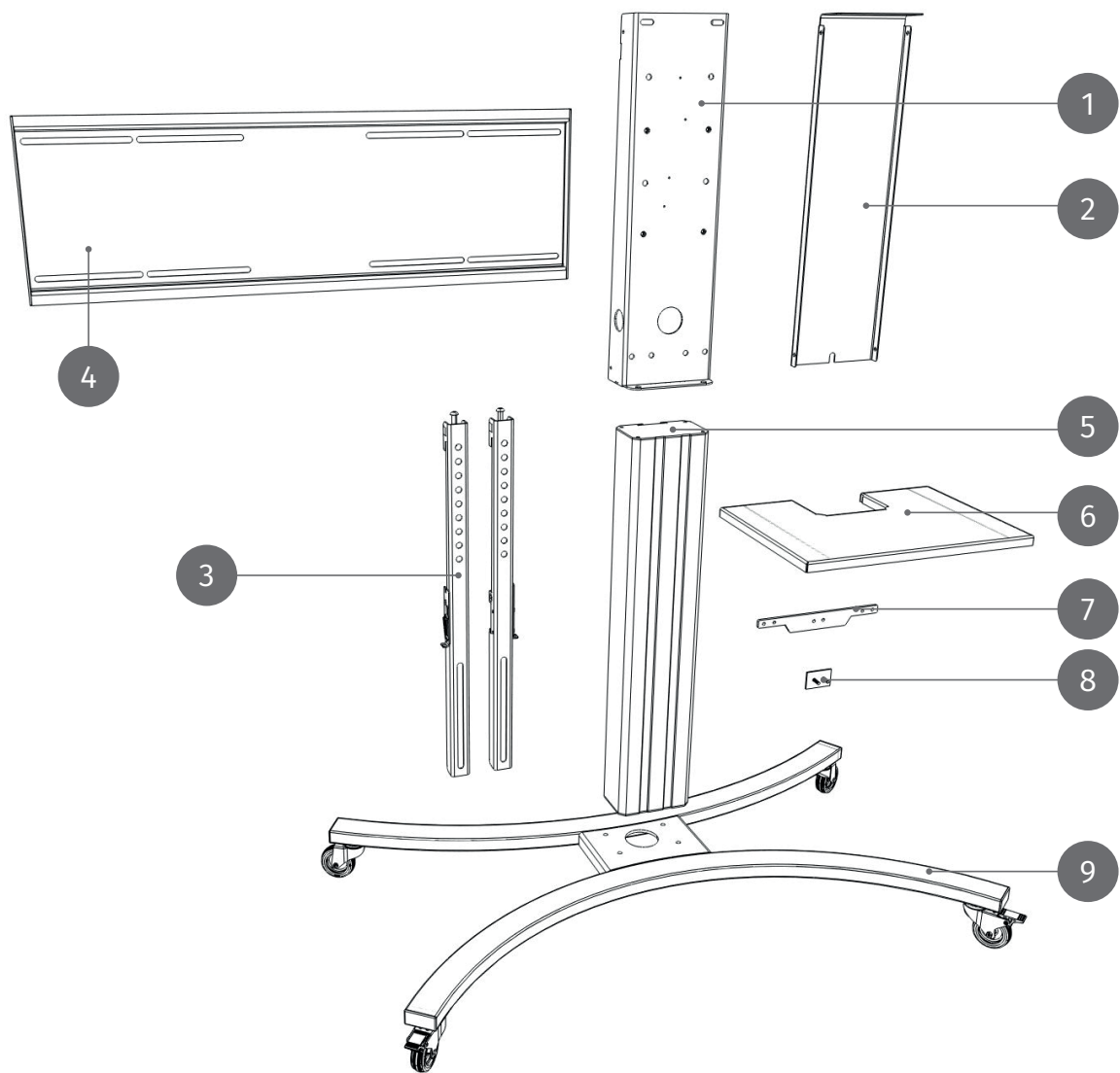


Fixed mobile stand for 55-86" Displays



PACKAGE CONTENTS



- | | | |
|------------------------|-----------------------|-----------------|
| 1 Adapter | 4 Display mount | 7 Adapter strip |
| 2 Cover | 5 Fixed center column | 8 Sliding block |
| 3 Hook arms right/left | 6 Front shelf | 9 Mobile base |



A

8 x M8 x 40
Flange screw



B

4 x M8 x 20
Flange screw



C

4 x M8
Self-locking
flange nut



D

2 x M6
Self-locking
flange nut



E

8 x M6 x 12
Flange screw

Depending on the display



F

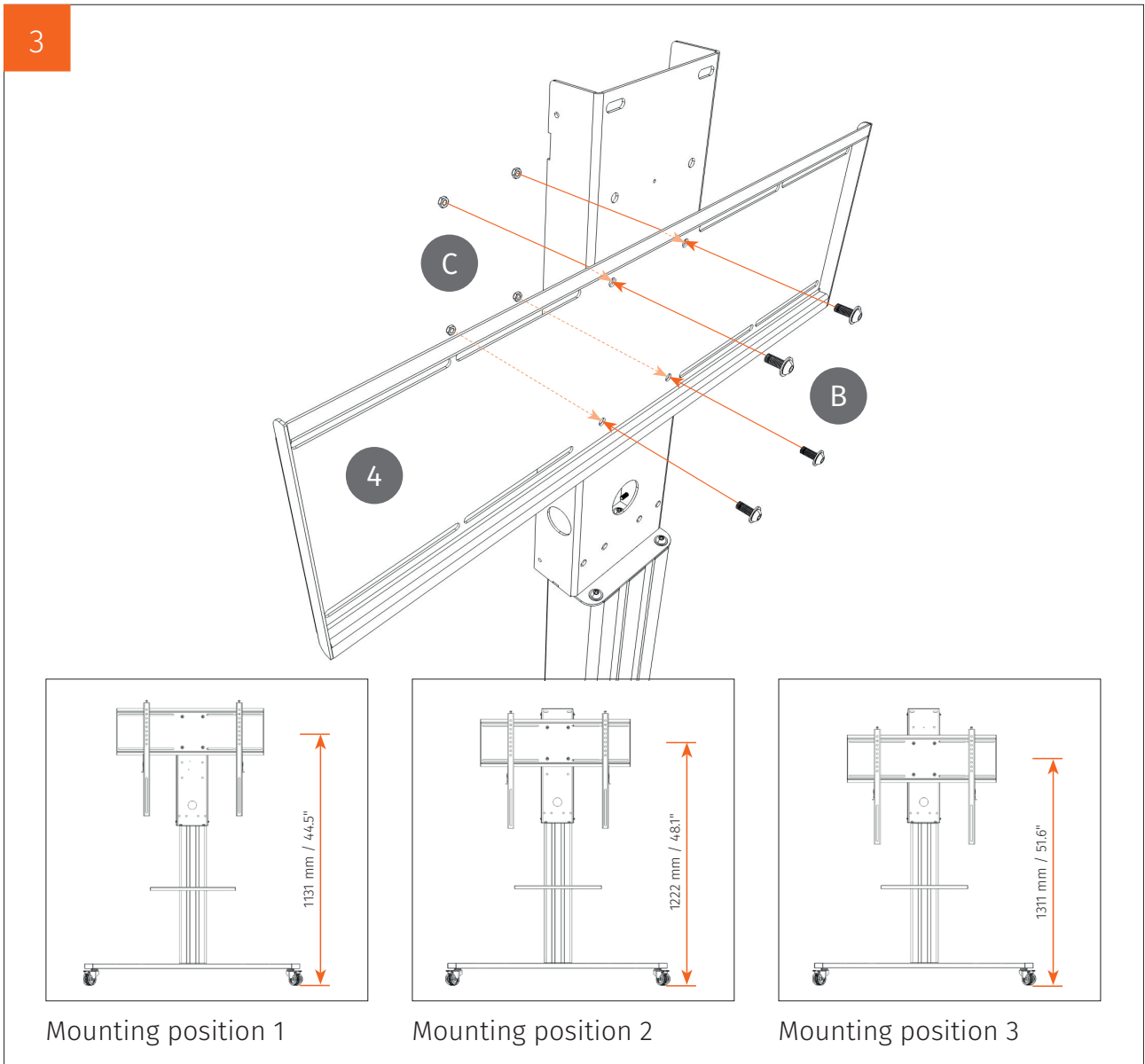
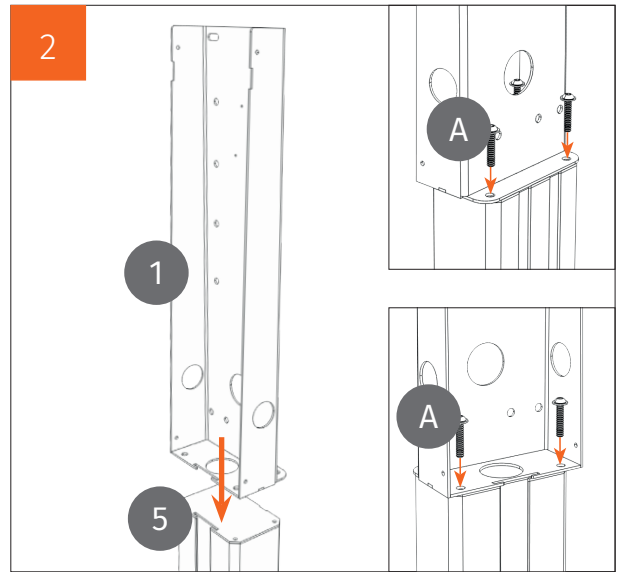
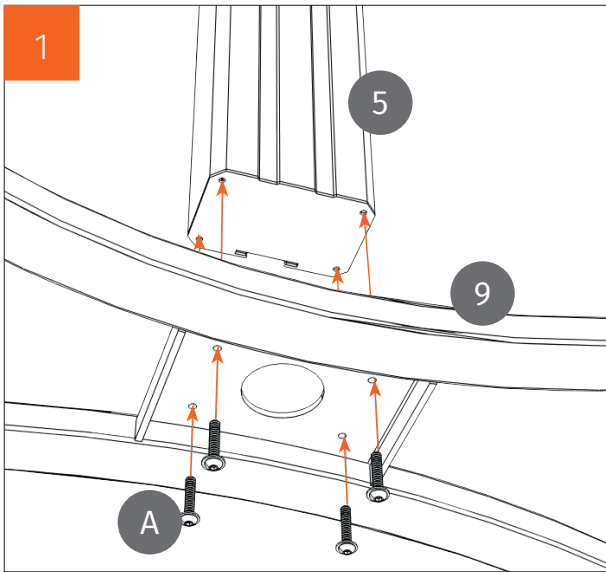
4 x M8 x 16
Lenshead Allen screw with flange



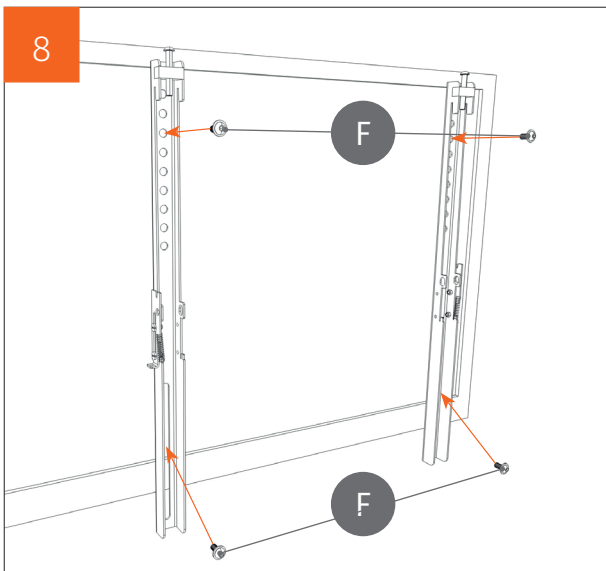
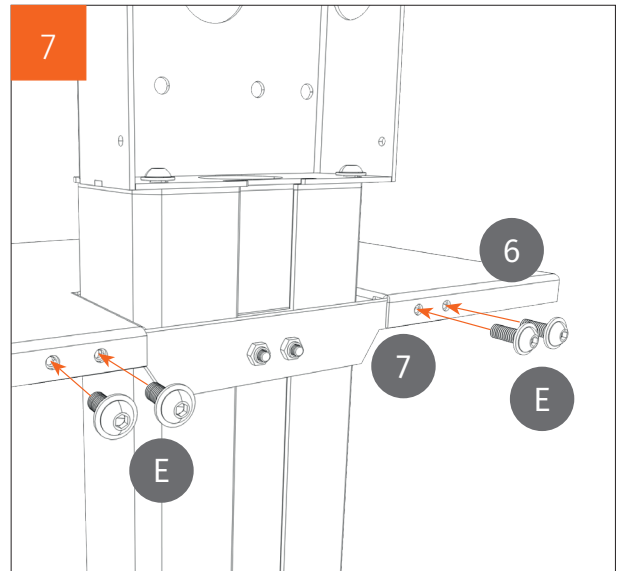
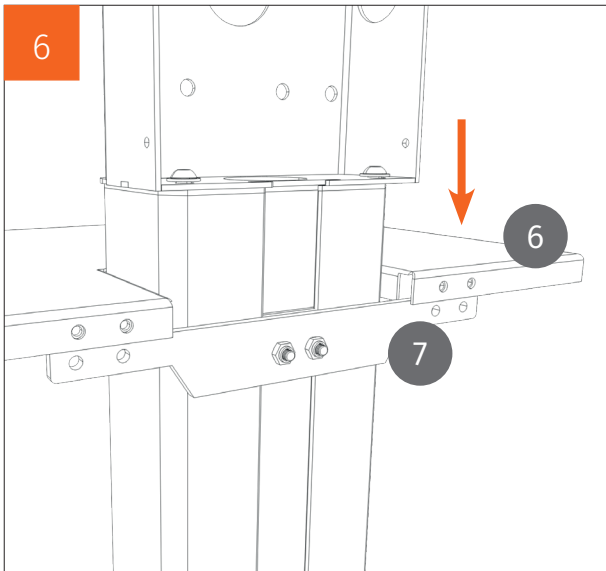
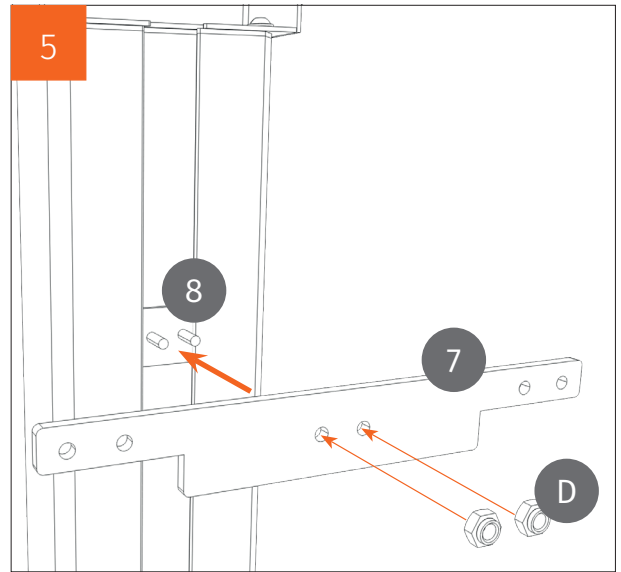
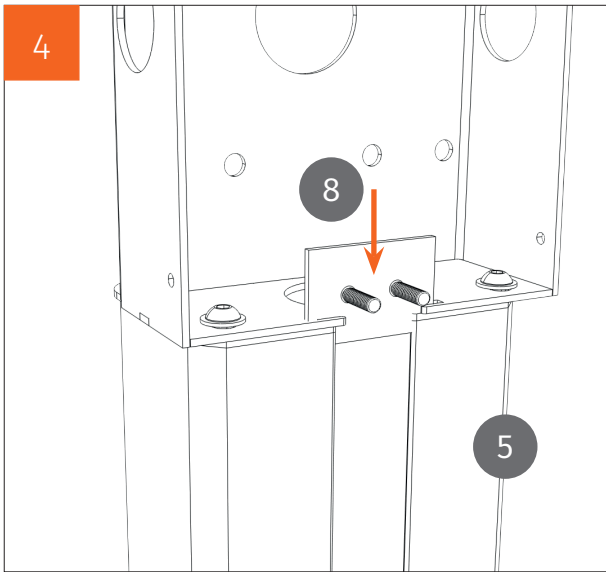
F

4 x M6 x 16
Lenshead Allen screw with flange

MOUNTING INSTRUCTIONS



MOUNTING INSTRUCTIONS



MOUNTING INSTRUCTIONS

