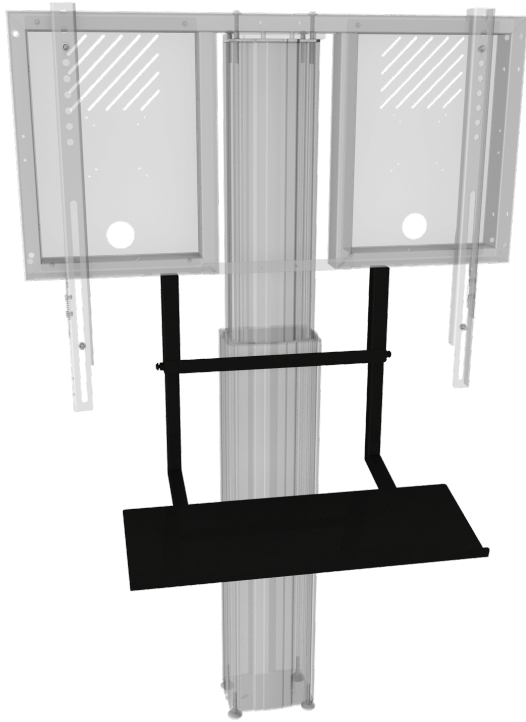


AFSCETAKBR

SPECIFICATION SHEET
WWW.CONEN-SYSTEMS.COM

KEYBOARD SHELF FOR LITE SERIES

ADAPTS TO DISPLAY MOUNT



PRODUCT

Practical keyboard tray for attachment to the display mount. This shelf for keyboards is black and ships including mounting hardware.

FEATURES

- Keyboard-shelf for mounting to the display mount of LITE series (RLI...)
- Dimension: W/D: 600 x 200 mm
- Powder-coated steel, 2 mm, black (RAL 9005)
- Tube 30 x 30 mm/ 25 x 25 mm
- Includes mounting accessories (2x Allen head lens screws)

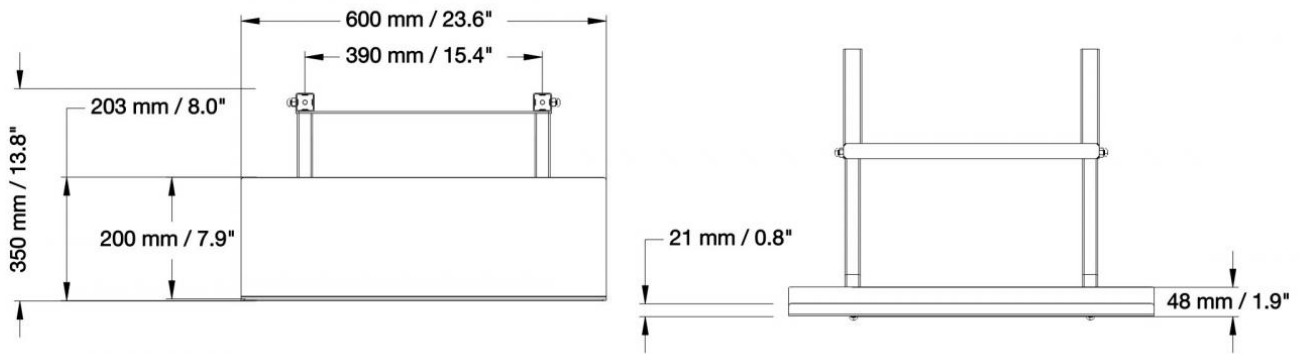


Display mount

Max. load
3 kg / 5.5 lbs

Item number	AFSCETAKBR	
Load capacity	2,5 kg	5.5 lbs
Width / Height / Depth	600 mm / 48 mm / 350 mm	23.6" / 1.9" / 13.8"
Weight	4,4 kg	9.7 lbs
Packages	Package dimensions WxHxD	Package weight
AFSCETAKBR	670 x 90 x 280 mm / 26.4 x 3.5 x 11"	5 kg / 11 lbs

Dimensions



Conen Systems GmbH
 Conenstr. 4
 54497 Morbach-Gonzerath
 Germany

T +49 6533 75-100
 F +49 6533 75-600
 E service@conen-systems.com
www.conen-systems.com

© Copyright by Conen Systems GmbH

08/13/2024
 Page 2/2