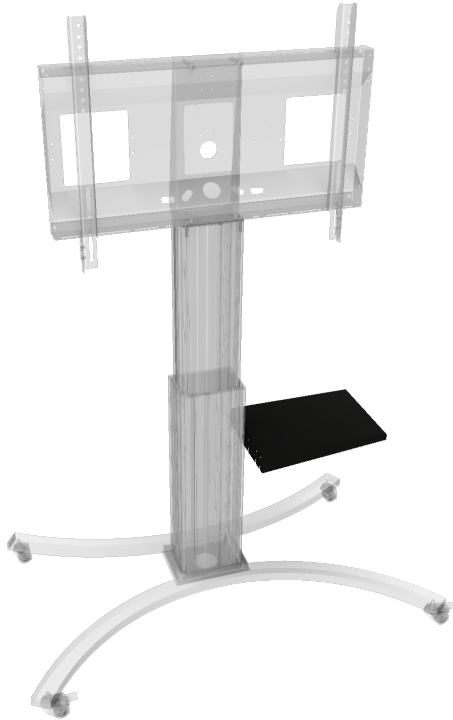


LAP4-SM

SPECIFICATION SHEET
WWW.CONEN-SYSTEMS.COM

LAPTOP SIDE SHELF

CONNECTS TO CENTRAL ALUMINUM COLUMN



PRODUCT

Side shelf connects to the right and/ or left side of the pylon. Allows for 4 different mounting positions.

FEATURES

- Compatible with SCETA and SCEXL series
- Steel plate 2 mm
- Powder coated in RAL 9005, black
- Including mounting accessories (4x sliding block with thread, 4x nut with integrated washer)



Display mount



Projector mount

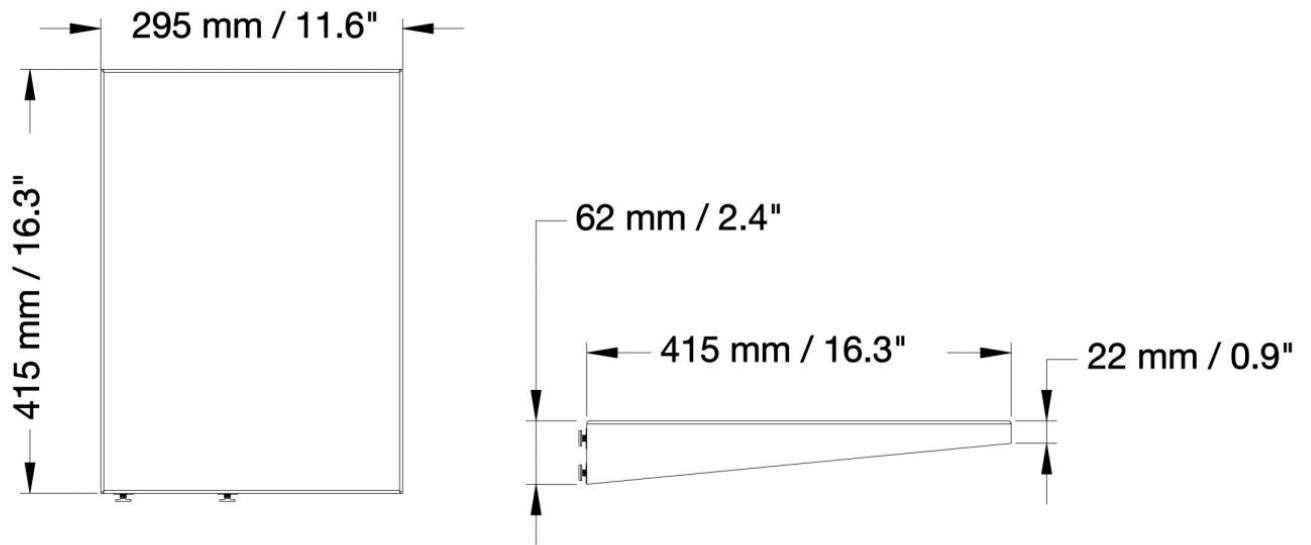


IWB mount

Max. load
10 kg / 22 lbs03/25/2025
Page 1/2

| | | |
|------------------------|--|-----------------------------|
| Item number | LAP4-SM | |
| Load capacity | 10 kg | 22 lbs |
| Width / Height / Depth | 415 mm / 22 mm - 62 mm / 295 mm | 16.3" / 0.9" - 2.4" / 11.6" |
| Weight | 2,9 kg | 6.4 lbs |
| Packages | Package dimensions WxHxD | Package weight |
| LAP4-SM | 450 x 90 x 350 mm / 17.7 x 3.5 x 13.8" | 3,4 kg / 7.4 lbs |

Dimensions



Conen Systems GmbH
 Conenstr. 4
 54497 Morbach-Gonzerath
 Germany

T +49 5251 50012-0
 E sales@conen-systems.com

www.conen-systems.com

© Copyright by Conen Systems GmbH

03/25/2025
 Page 2/2