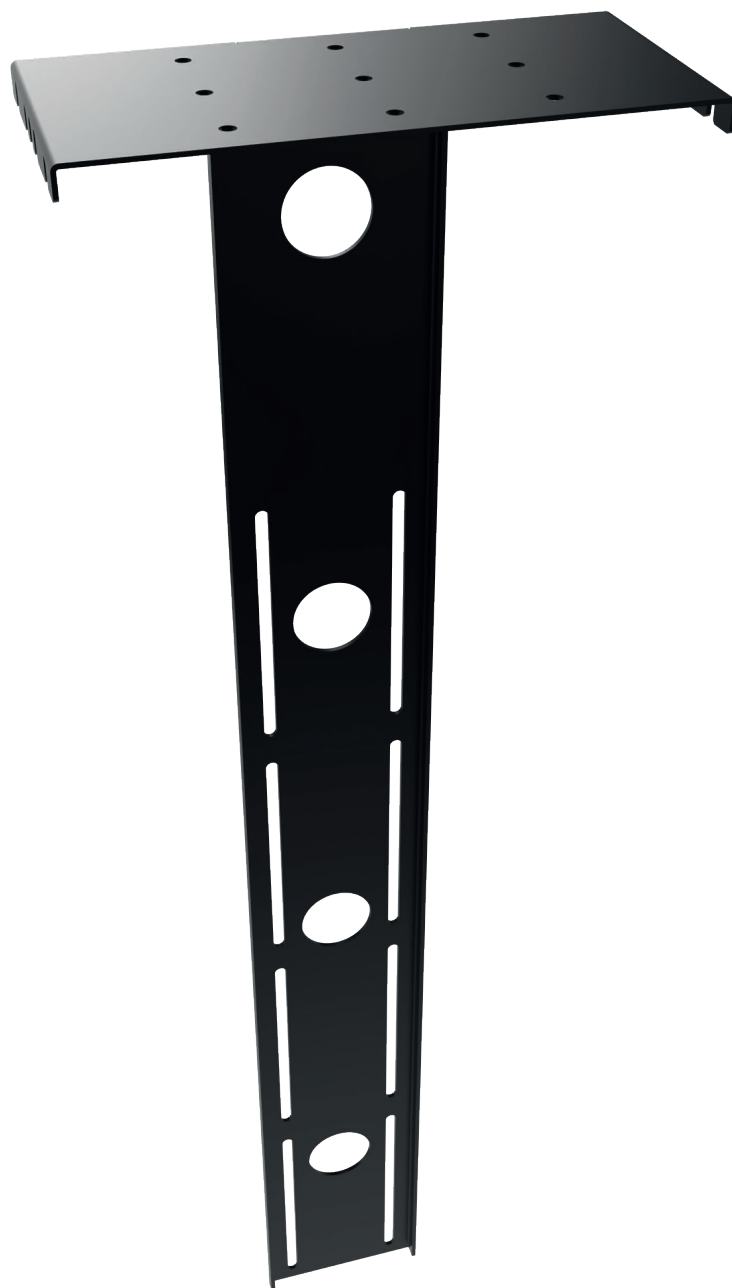
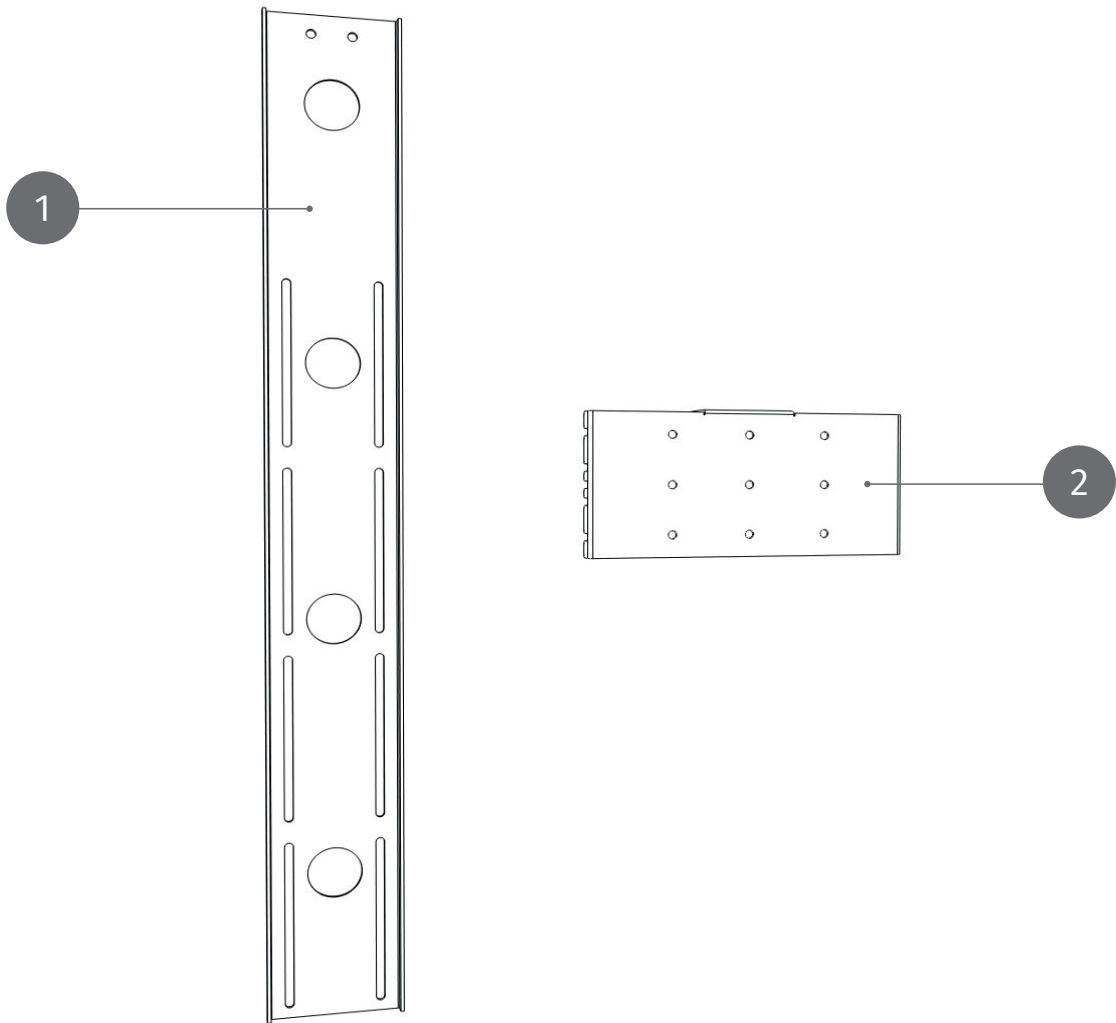


Camera mounting
for attachment to the display frame



PACKAGE CONTENTS

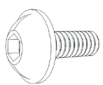


1

Mounting plate

2

Shelf tray



A

2 x M6 x 16
Lens head oval head screw
with flange, black



B

2 x M6
Self-locking nut



C

4 x M6 x 10
Lens head oval head screw
with flange, black

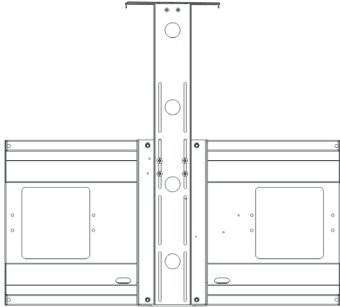


D

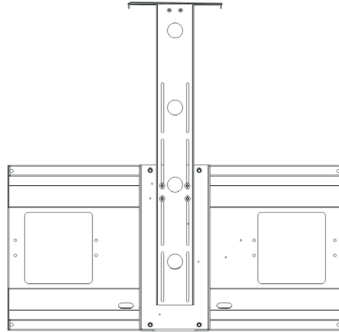
3 x
Elastic bands

MOUNTING INSTRUCTIONS

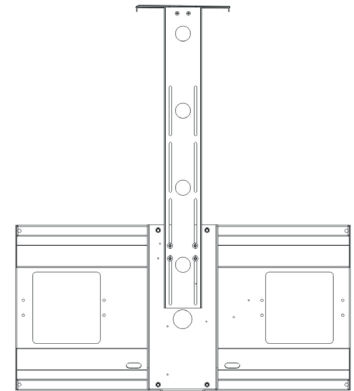
FOR THE SCETA SERIES – DIFFERENT MOUNTING POSITIONS POSSIBLE



Mounting position 1

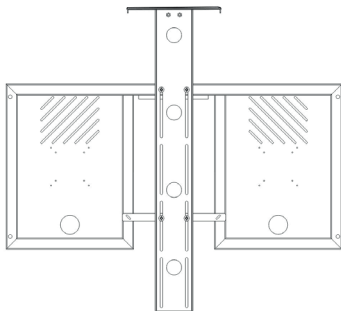


Mounting position 2

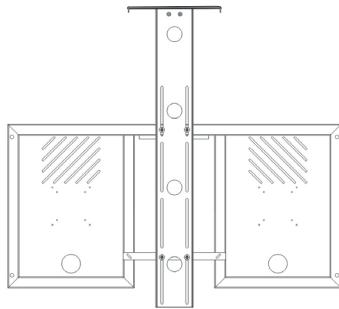


Mounting position 3

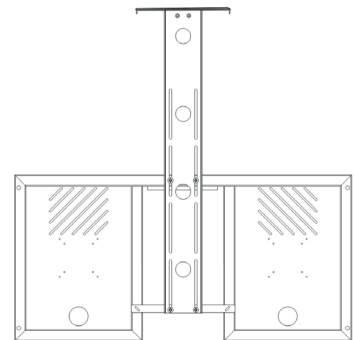
FOR THE RLI SERIES – DIFFERENT MOUNTING POSITIONS POSSIBLE



Mounting position 1



Mounting position 2



Mounting position 3

MOUNTING INSTRUCTIONS

