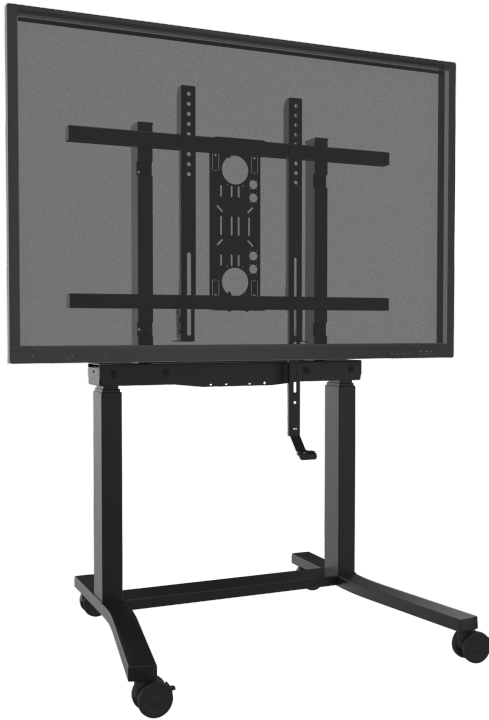


DCS-M65

SPECIFICATION SHEET
WWW.CONEN-SYSTEMS.COM

ELECTRICALLY HEIGHT-ADJUSTABLE MOBILE MONITOR STAND FOR INTERACTIVE DISPLAYS

VESA 200X200 TO 800X600 FOR DISPLAYS UP TO 86" (MAX. 120 KG)



PRODUCT

Model "DCS" - Electrically height-adjustable mobile stand for interactive displays.

The mobile electric lift system is designed for displays with a size of up to 86" and a load capacity of max. 120 kg. The height is infinitely adjustable using a hand switch. The two double telescopic pylon columns, which have a lifting range of 650 mm, make the system extremely versatile.

The integrated collision protection increases safety to prevent injury to the user or damage to the system. If contact with an obstacle occurs, the system automatically reverses in the opposite direction.

The 75 mm lockable castors allow the system to be used on a wide variety of floor coverings, such as stone floors, PVC flooring or deep-pile carpets, while guaranteeing the necessary stability. The V-shaped frame ensures optimum accessibility to the display.

The system comes with a mounting plate as standard to accommodate a mini PC (VESA 75 and VESA 100) and a power strip. The option of connecting additional accessories such as a camera and keyboard shelf, as well as whiteboard side panels, help to increase user-friendliness and improve the range of applications in the training sector.

The system is supplied in cardboard packaging, the frame is pre-assembled.

FEATURES

- VESA mount up to max. VESA 800 x 600
- Travel speed: 70mm/sec.
- Stroke: 65 cm
- Load capacity: 120 kg
- incl. collision protection
- Center of display approx. 1,080- 1,730 mm
- Mounting plate incl. VESA 75/100 for mounting a mini PC, power strip etc.
- Quick and easy display mounting thanks to suspension rails with quick-release fastener
- Rolling frame with 75 mm castors

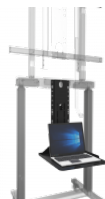
Accessories



Camera shelf for DCS system



Keyboard tray for DCS system



Laptop shelf for DCS system



Keyboard and mouse tray for DCS system



Wall mounting plate for DCS wall bracket



Display mount



Mobile



Motorized height adjustable



Single display



5 years warranty



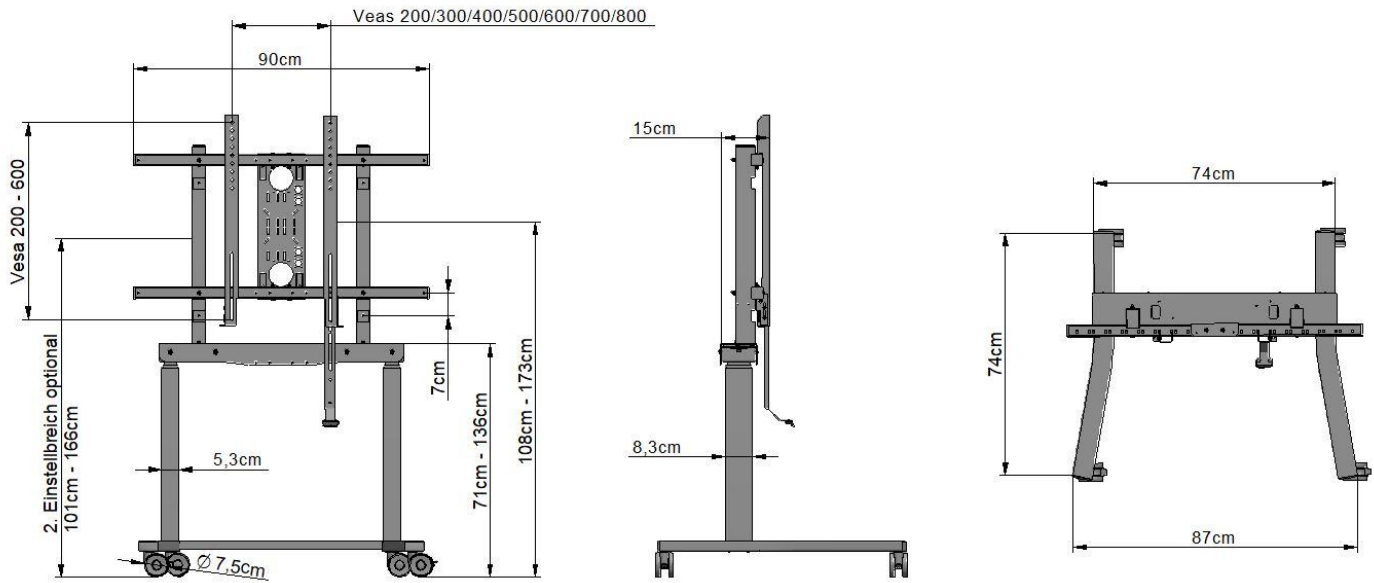
Max. load
120 kg / 264.6 lbs



Max. Vesa
800 x 600

| | | |
|---------------------------------|-------------------------------------|-------------------------------|
| Item number | DCS-M65 | |
| Vesa horizontal / Vesa vertical | 200 mm - 800 mm / 200 mm - 600 mm | |
| Frame for all | 86" max. | |
| Center to floor distance | 1080 mm - 1730 mm | 42.5" - 68.1" |
| Load capacity | 120 kg | 264.6 lbs |
| Width / Height / Depth | 900 mm / 1400 mm - 2050 mm / 740 mm | 35.4" / 55.1" - 80.7" / 29.1" |
| Weight | 39 kg | 86 lbs |
| Warranty | 5 years limited warranty | |
| Frame color | RAL 9005 deep black | |

Dimensions



Conen Systems GmbH
 Conenstr. 4
 54497 Morbach-Gonzerath
 Germany

T +49 5251 50012-0
 E sales@conen-systems.com

www.conen-systems.com

© Copyright by Conen Systems GmbH

03/04/2025
 Page 2/2