

83502012

SPECIFICATION SHEET
WWW.CONEN-SYSTEMS.COM

MOW-S FLEX

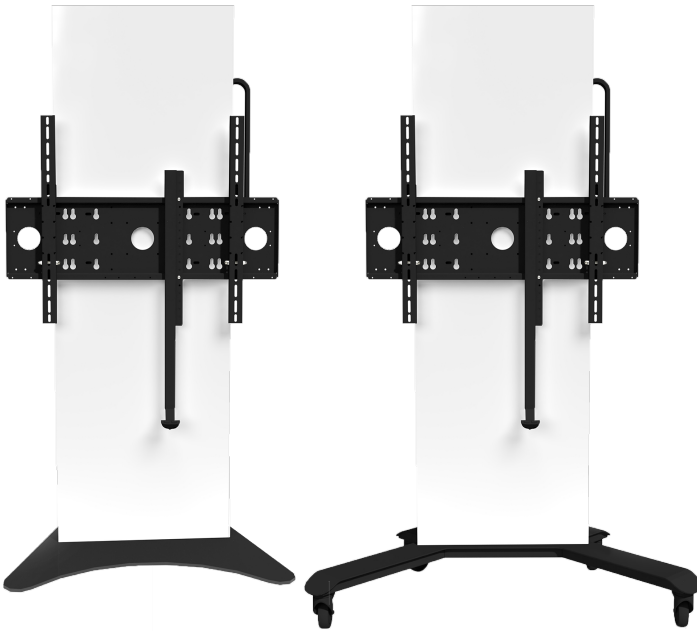
MOBILE DISPLAY STAND WITH MOTORIZED HEIGHT ADJUSTMENT TO ACCOMMODATE DISPLAYS UP TO 98".

PRODUCT

The MOW-S flex complements our MOW series with two free-standing display stands. The high-quality and well thought-out design makes it easy to mount the display and media technology. The MOW-S flex is available as a motorized height-adjustable version with a 50 cm stroke or in a version where the display can be hung in 6 grid points. available.

Media technology furnishing is also made easier by the color-customizable design. This is because the MOW-S flex not only focuses on functionality, but also on visual presence.

Thanks to the mobile V-base and the stable base plate, the MOW-S flex display stands are barrier-free.



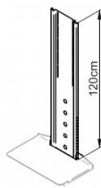
Accessories



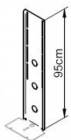
Transport handles for mobile display stands



LCD mount - Surface Hub 2S 85"



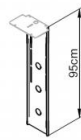
Mounting rail for shelf - 120 cm, for mounting on the



Mounting rail for shelf - 95 cm for mounting on



Telescopic mounting rail - 60 cm for the use of 2 horizontal



Telescopic mounting rail - 95 cm - HKS modular system

FEATURES

- Made in Germany
- Integrated cable management
- Barrier-free
- Load capacity up to max. 100 kg
- Freely selectable: mobile V-foot or stable base plate
- Can be customized visually



Display mount



Mobile



Motorized height adjustable



Single display




Max. load
100 kg / 220.5 lbs

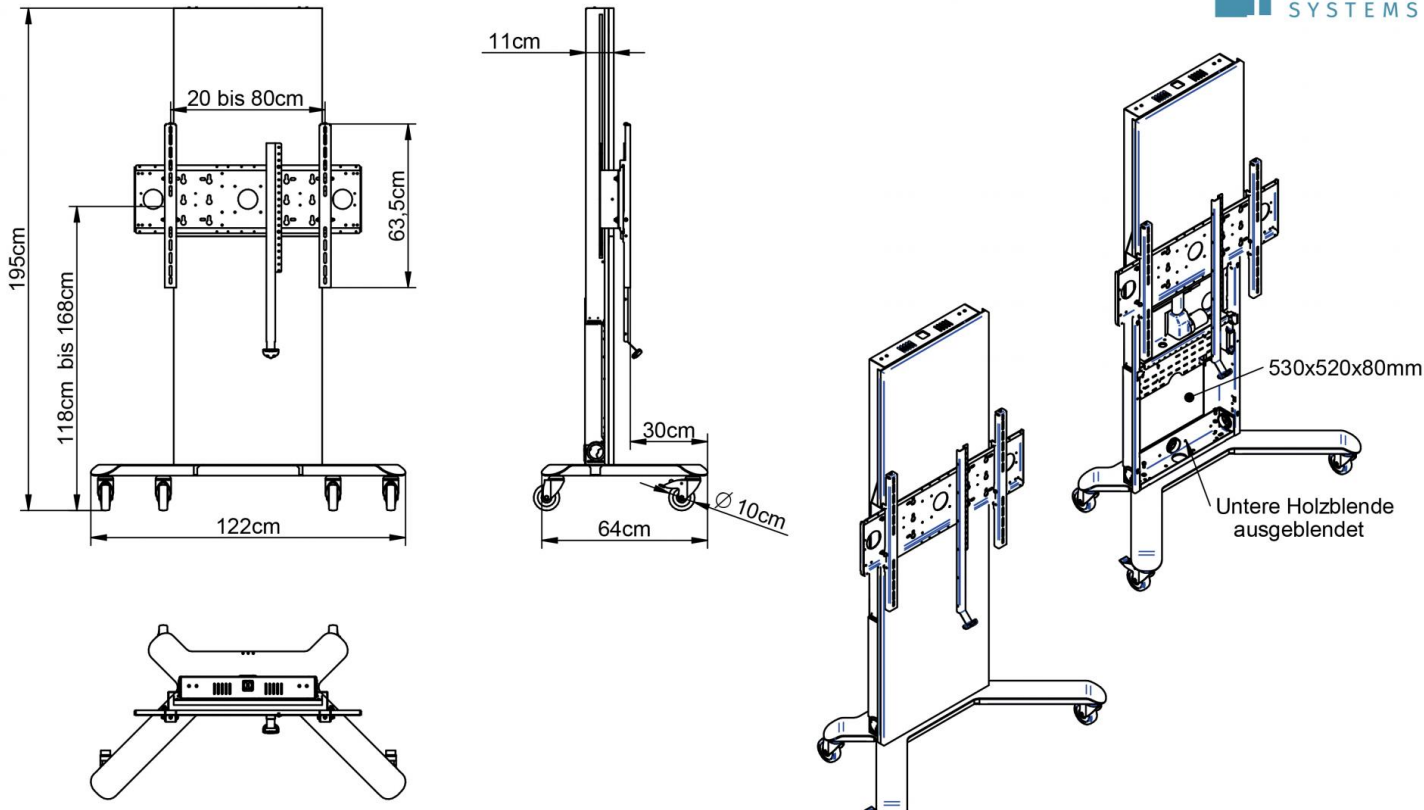


Max. Vesa
800 x 600

Item number	83502012	
Vesa horizontal / Vesa vertical	100 mm - 800 mm / 100 mm - 600 mm	
Frame for all	86" max.	
Center to floor distance	1210 mm - 1710 mm	47.6" - 67.3"
Load capacity	100 kg	220.5 lbs
Width / Height / Depth	490 mm / 1950 mm / 110 mm	19.3" / 76.8" / 4.3"
Weight	107 kg	235.9 lbs
Packages	Package dimensions WxHxD	Package weight
83502012	1400 x 2100 x 1000 mm / 55.1 x 82.7 x 39.4"	127 kg / 280 lbs

Dimensions





Conen Systems GmbH
33178 Borcheln
Telefon: 05251/50012-0
Telefax: 05251/50012-12
www.conen-systems.com

Zur Genehmigung / for approval

Dieses Dokument bitte zurücksenden
please return this document

Name / name: Datum / date:

Angebot

MOW-S_flex

Maße in
cm

Datum:
05.10.2023

Conen Systems GmbH
Conenstr. 4
54497 Morbach-Gonzerath
Germany

T +49 5251 50012-0
E sales@conen-systems.com

www.conen-systems.com

© Copyright by Conen Systems GmbH