

## REM-FOOT

SPECIFICATION SHEET  
WWW.CONEN-SYSTEMS.COM**FOOT REMOTE CONTROL WITH 2 SHIFTERS IN GREY**

TO OPERATE THE ELECTRICAL HEIGHT ADJUSTMENT OF THE PYLON COLUMN

PRODUCT

All electrically height-adjustable and tiltable display mounts are supplied with a cable control panel. This footswitch extends this functionality. The switch is equipped with 2 buttons and controls the electrical height adjustment of the display mount. The column can be driven up and down.

The operability by foot switch can not be retrofitted!

FEATURES

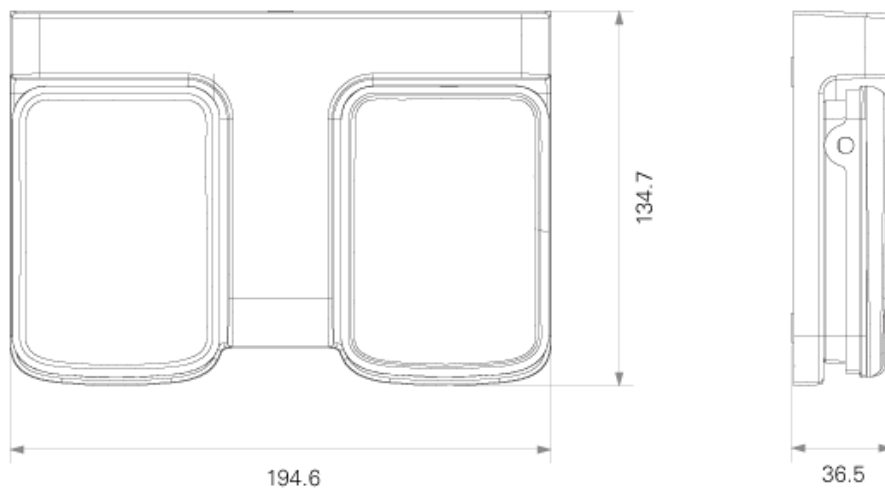
- Simple and quick control by foot
- Colour: grey



Display mount

|                        |                         |                    |
|------------------------|-------------------------|--------------------|
| Item number            | REM-FOOT                |                    |
| Width / Height / Depth | 195 mm / 37 mm / 135 mm | 7.7" / 1.4" / 5.3" |

## Dimensions



Conen Systems GmbH  
Conenstr. 4  
54497 Morbach-Gonzerath  
Germany

T +49 5251 50012-0  
E sales@conen-systems.com

[www.conen-systems.com](http://www.conen-systems.com)

© Copyright by Conen Systems GmbH

10/30/2024  
Page 2/2