

LAP-CAB

SPECIFICATION SHEET
WWW.CONEN-SYSTEMS.COM**LOCKABLE NOTEBOOK CABINET**

FOR MOUNTING ON THE PYLON

PRODUCT

You can easily attach this lockable laptop or notebook cabinet to the pylon column in just a few easy steps. Protect your laptop against unauthorized access and theft.

FEATURES

- Outer dimensions, W/H/D 45,0 x 20,0 x 34,5 cm
- Inner dimensions, W/H/D 40,8 x 16,3 x 31,0 cm
- 2 brackets to mount at side of aluminum pylons included
- Lockable front flap, cable grommet at rear side
- 2 finishes available (black and grey)



Display mount



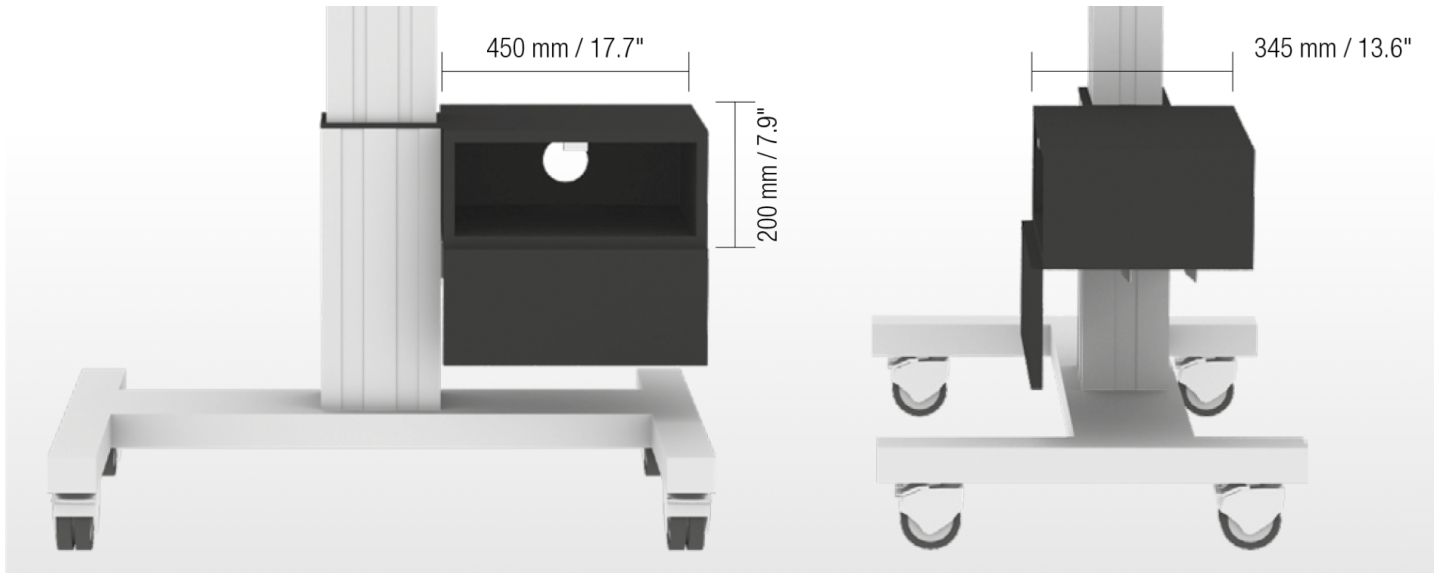
Projector mount



IWB mount

| | | |
|------------------------|---|----------------------|
| Item number | LAP-CAB | |
| Width / Height / Depth | 450 mm / 200 mm / 345 mm | 17.7" / 7.9" / 13.6" |
| Weight | 9 kg | 19.8 lbs |
| Packages | Package dimensions WxHxD | Package weight |
| LAP-CAB | 490 x 240 x 385 mm / 19.3 x 9.4 x 15.2" | 10 kg / 22 lbs |

Dimensions



Conen Systems GmbH
 Conenstr. 4
 54497 Morbach-Gonzerath
 Germany

T +49 5251 50012-0
 E sales@conen-systems.com

www.conen-systems.com

© Copyright by Conen Systems GmbH

08/13/2024
 Page 2/2