

LAP-CAB

SPECIFICATION SHEET
WWW.CONEN-SYSTEMS.COM**LOCKABLE NOTEBOOK CABINET**

FOR MOUNTING ON THE PYLON

PRODUCT

You can easily attach this lockable laptop or notebook cabinet to the pylon column in just a few easy steps. Protect your laptop against unauthorized access and theft.

FEATURES

- Outer dimensions, W/H/D 45,0 x 20,0 x 34,5 cm
- Inner dimensions, W/H/D 40,8 x 16,3 x 31,0 cm
- 2 brackets to mount at side of aluminum pylons included
- Lockable front flap, cable grommet at rear side
- 2 finishes available (black and grey)



Display mount



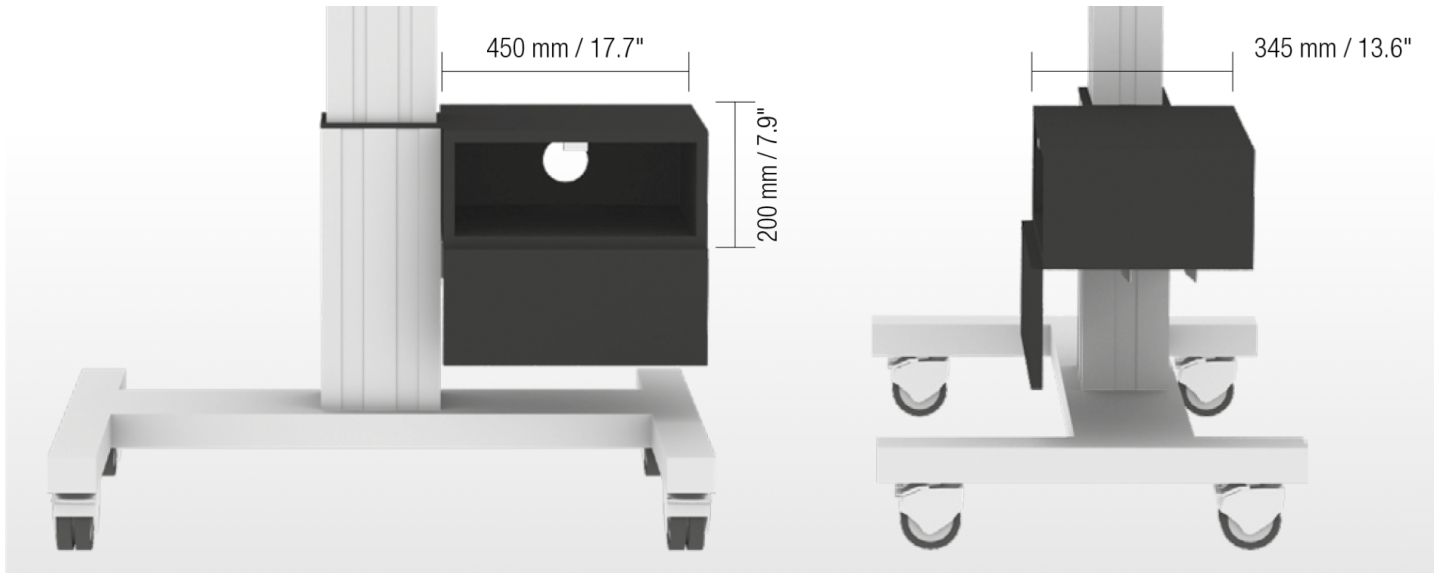
Projector mount



IWB mount

Item number	LAP-CAB	
Width / Height / Depth	450 mm / 200 mm / 345 mm	17.7" / 7.9" / 13.6"
Weight	9 kg	19.8 lbs
Packages	Package dimensions WxHxD	Package weight
LAP-CAB	450 x 20 x 350 mm / 17.7 x 0.8 x 13.8"	10 kg / 22 lbs

Dimensions



Conen Systems GmbH
 Conenstr. 4
 54497 Morbach-Gonzerath
 Germany

T +49 5251 50012-0
 E sales@conen-systems.com

www.conen-systems.com

© Copyright by Conen Systems GmbH

02/19/2025
 Page 2/2