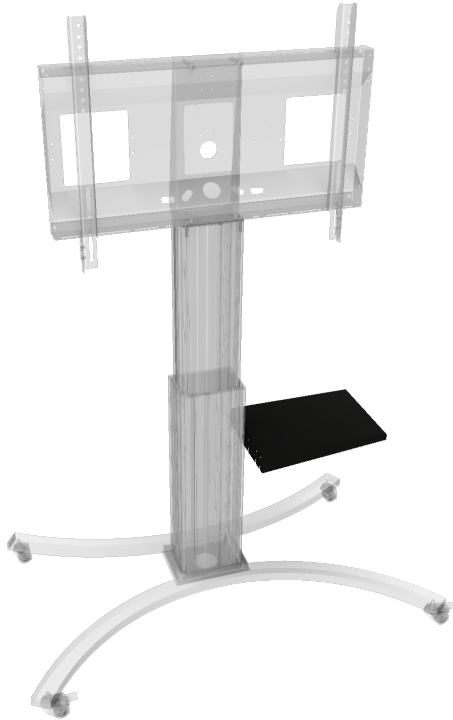


LAP4-SM

SPECIFICATION SHEET  
WWW.CONEN-SYSTEMS.COM

## LAPTOP SIDE SHELF

CONNECTS TO CENTRAL ALUMINUM COLUMN



### PRODUCT

Side shelf connects to the right and/ or left side of the pylon. Allows for 4 different mounting positions.

### FEATURES

- Compatible with SCETA and SCEXL series
- Steel plate 2 mm
- Powder coated in RAL 9005, black
- Including mounting accessories (4x sliding block with thread, 4x nut with integrated washer)



Display mount



Projector mount

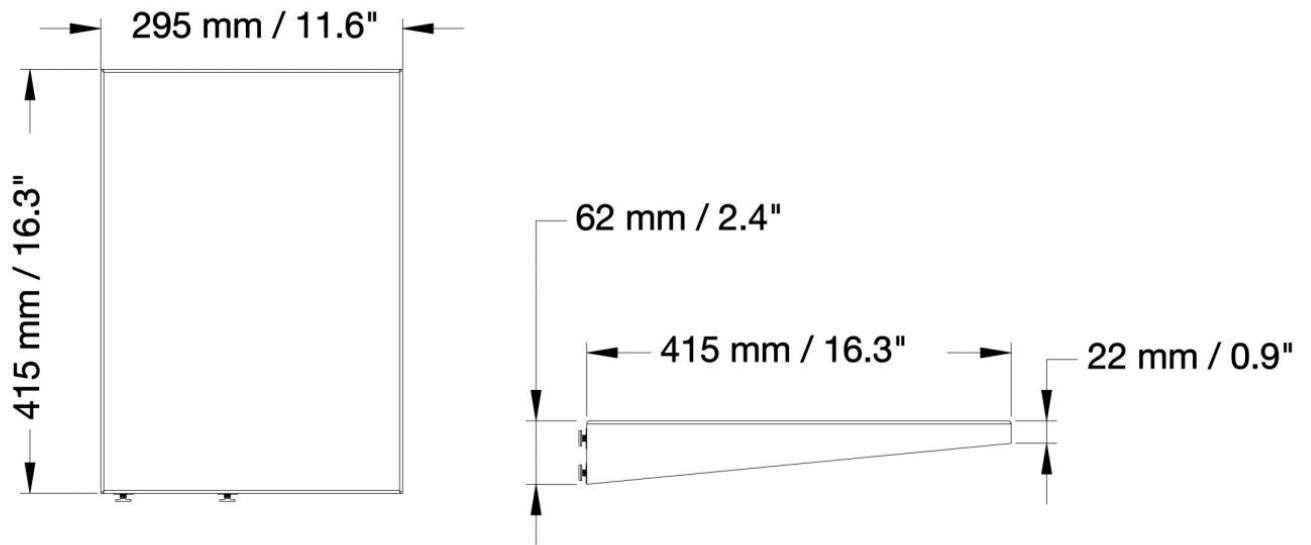


IWB mount

Max. load  
10 kg / 22 lbs03/25/2025  
Page 1/2

Item number	LAP4-SM	
Load capacity	10 kg	22 lbs
Width / Height / Depth	415 mm / 22 mm - 62 mm / 295 mm	16.3" / 0.9" - 2.4" / 11.6"
Weight	2,9 kg	6.4 lbs
Packages	Package dimensions WxHxD	Package weight
LAP4-SM	450 x 90 x 350 mm / 17.7 x 3.5 x 13.8"	3,4 kg / 7.4 lbs

## Dimensions



Conen Systems GmbH  
 Conenstr. 4  
 54497 Morbach-Gonzerath  
 Germany

T +49 5251 50012-0  
 E sales@conen-systems.com

[www.conen-systems.com](http://www.conen-systems.com)

© Copyright by Conen Systems GmbH

03/25/2025  
 Page 2/2